



**SOLENOID PRESSURE VALVE KIT
PART # 23907, 23908, 23909**

***** WARNING: FOR 12-VOLT SYSTEMS ONLY *****

PARTS LIST

(6)	Terminal, Ring, Vinyl	(2)	Terminal, Male Vinyl
(12 ft)	Wire, 16 GA.	(1)	Nipple 1/2 Inch NPT
(1)	Solenoid, 12 Volt	(1)	Face Plate, On/Off
(1)	Brass Tee Fitting	(1)	Pressure Switch

INSTALLATION INSTRUCTIONS

- Each side of the Solenoid Valve contains a 1/2" NPT female port.. A 1/2" male nipple and a 1/2" tee with 1/8" NPT hole for the pressure switch. Use Teflon tape or a thread sealer on all threads. Install the solenoid with the "IN" side towards the accumulator. This will prevent the accumulator from bleeding down while the solenoid is turned off.
- Use the Toggle Switch, Pressure Switch, and 16 Gauge wire included in the kit to wire the valve as shown in the diagram.

NOTE: BE SURE TO USE A 20 AMP FUSE (MAXIMUM) INLINE WITH THIS CIRCUIT.

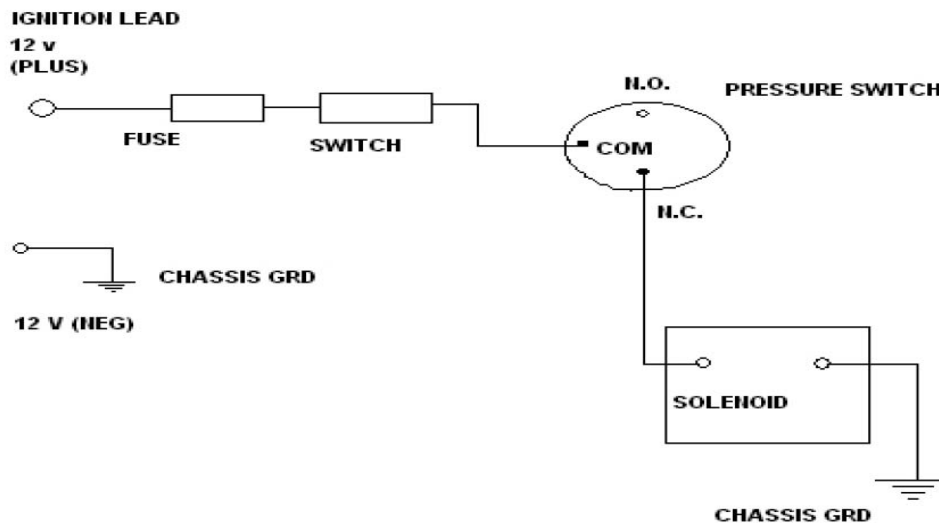
Ensure that the power source you choose for the pressure valve, is only hot when the ignition is on.

OPERATION:

- Switch on, pressure below pressure switch setting. Solenoid valve will be open.
- Switch on, pressure above pressure switch setting. Solenoid valve will be closed.
- Switch off, Solenoid is closed regardless of pressure.

THE PRESSURE SWITCH SHOULD BE ON THE "ENGINE" SIDE OF THE SOLENOID.

NOTE: Always check for leaks after installation and periodically, make any repairs as needed.



**For Technical Assistance, Call Moroso's Tech Line at
(203) 458-0542, 458-0546 8:30am – 5:00pm Eastern Time**

MOROSO PERFORMANCE PRODUCTS, INC
80 CARTER DR • GUILFORD, CT 06437-2116
Phone: (203) 453-6571 • Fax: (203) 453-6906