



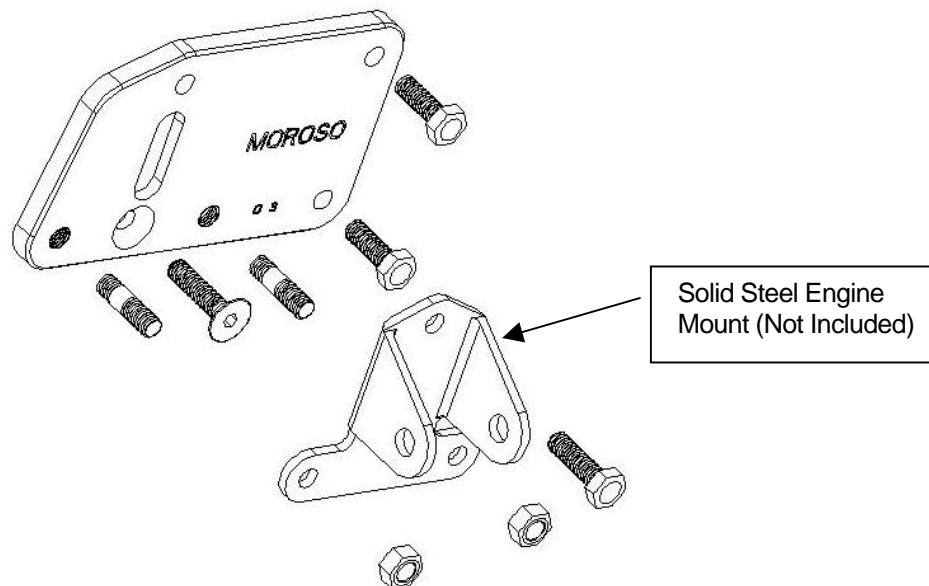
SOLID MOTOR MOUNTS FOR LS SERIES ENGINES P/N 62555

Parts List

- | | |
|------------------------------------|------------------------------------|
| (1) LS Motor Mount Adapter D. Side | (1) LS Motor Mount Adapter P. Side |
| (2) 10MM X 35MM Flat Head Screw | (2) 10MM X 35MM Hex Head Screw |
| (4) 10MM Hex Nut | (10) 10MM Split Lock Washer |
| (4) 10MM X 37MM Stud | (4) 10MM X 30MM Fastener |
| (4) Flat Washers | |

- Kit allows installation of LS series engines into earlier GM chassis with conventional, three-bolt engine mounts.
- Steel Engine Mounts are not provided, use factory mounts from dealer or solid mounts from Moroso.

NOTE : See catalog for Solid Engine Mount dimensions which could be different for your specific application.



*For Technical Assistance, Call Moroso's Tech Line at
(203) 458-0542, 458-0546 8:30am – 5:00pm Eastern Time*

MOROSO PERFORMANCE PRODUCTS, INC
80 CARTER DR • GUILFORD, CT 06437-2116
Phone: (203) 453-6571 • Fax: (203) 453-6906