



**DRIVE KIT – SBC
P/N 63845**

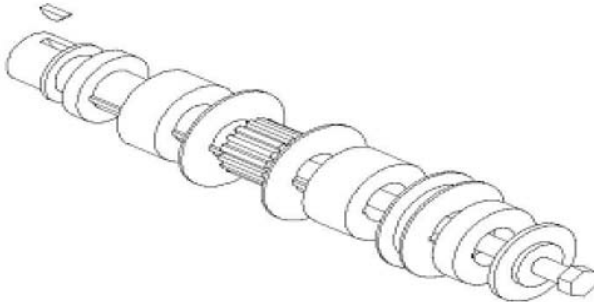
PARTS LIST

1 Spacer .350"	1 Square Key 1/8"	1 Pulley, V-Belt	1 7/16" Chrome-Moly Washer
1 Spacer .500"	1 Drive Gear 16T	1 Woodruff Key	1 Stepped Steel Washer
1 Spacer .905"	2 Belt Guides	1 Drive Hub	1 HHCS 7/16 -20 x 7-3/4"
1 Spacer 1.02"			

This Drive Kit is designed to work with a Moroso Dry Sump Pump and Moroso Vacuum Pump mounted with a Moroso P/N 63910 Mounting Bracket on a motor plate.

The diagram below shows one of the many arrangements of all the accessories on the Drive Hub.

USE LOCTITE THREAD LOCKING COMPOUND ON THE 7/16 – 20 X 7- 3/4" HEX HEAD CAP SCREW.



***For Technical Assistance, Call Moroso's Tech Line at
(203) 458-0542, 458-0546 8:30am – 5:00pm Eastern Time***

MOROSO PERFORMANCE PRODUCTS, INC
80 CARTER DR • GUILFORD, CT 06437
Phone: (203) 453-6571 • Fax: (203) 453-6906

Rev.E
061714

Visit Us At www.moroso.com

63845INST