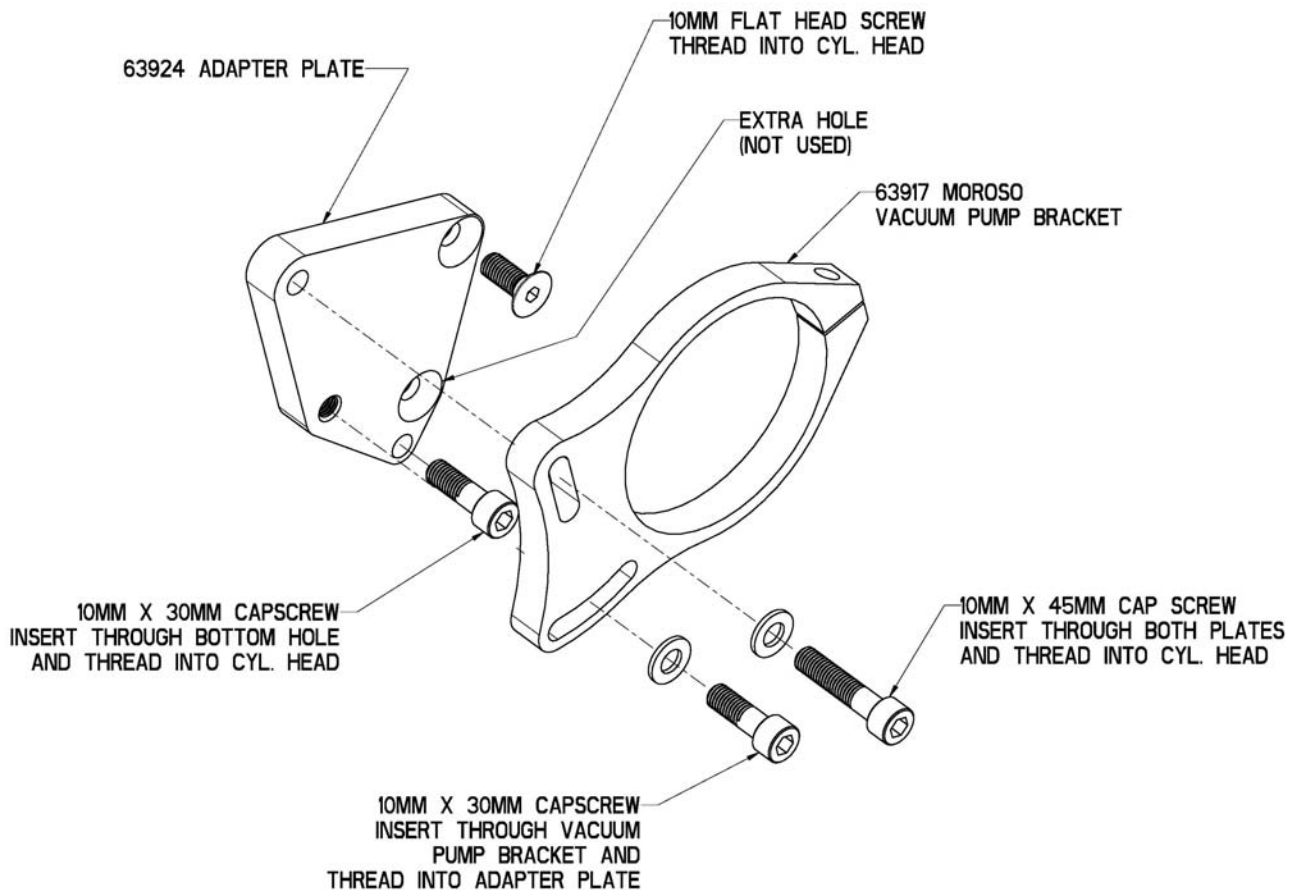




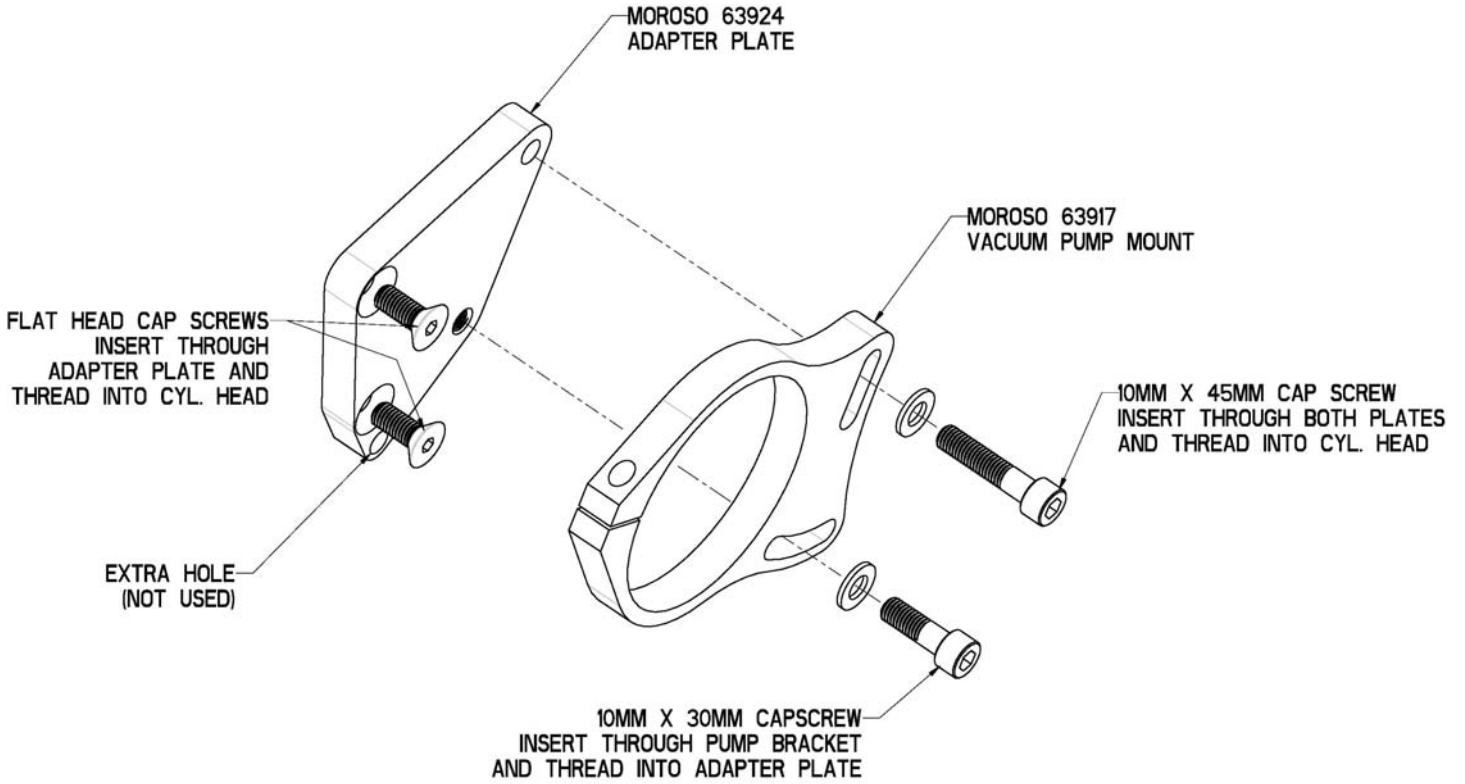
## 63924 LS VACUUM PUMP ADAPTER MOUNT

THIS KIT IS DESIGNED TO MOUNT A MOROSO 22642, 22840 OR, 22842 VACUUM PUMP TO THE FRONT OF A CHEVROLET LS CYLINDER HEAD USING MOROSO'S 63917 VACUUM PUMP BRACKET (NOT INCLUDED). BECAUSE OF THE MULTIPLE BOLT PATTERNS, IT CAN BE USED ON EITHER THE PASSENGER'S OR DRIVER'S SIDE. PLEASE NOTE THAT THIS KIT WILL NOT WORK ON THE EARLY 22640 AND 22641 PUMPS. USE THE FOLLOWING TWO ILLUSTRATIONS TO MOUNT THE PUMP IN THE DESIRED LOCATION.

### 63924 - DRIVER'S SIDE INSTALLATION



# 63924 - PASSENGER'S SIDE INSTALLATION



## PARTS LIST

63924 ADAPTER BRACKET .....	(1)
10MM X 30 MM SOCKET HEAD CAP SCREW .....	(2)
10MM X 45 MM SOCKET HEAD CAP SCREW.....	(1)
10MM X 25 MM FLAT HEAD CAP SCREW.....	(2)
10 MM FLAT WASHER .....	(2)

**For Technical Assistance, Call Moroso's Tech Line at  
(203) 458-0542, 458-0546 8:30am – 5:00pm Eastern Time**

MOROSO PERFORMANCE PRODUCTS, INC  
80 CARTER DR • GUILFORD, CT 06437-2116  
Phone: (203) 453-6571 • Fax: (203) 453-6906