



P/N 68762 – SPRINT CAR BREATHER TUBE KIT INSTALLATION INSTRUCTIONS

PARTS LIST

2	Breather Tube Angle Cut
1	Cross Tube Assy/Drilled Welded
2	Hose 1-38 ID x 3" Long
4	Hose Clamp

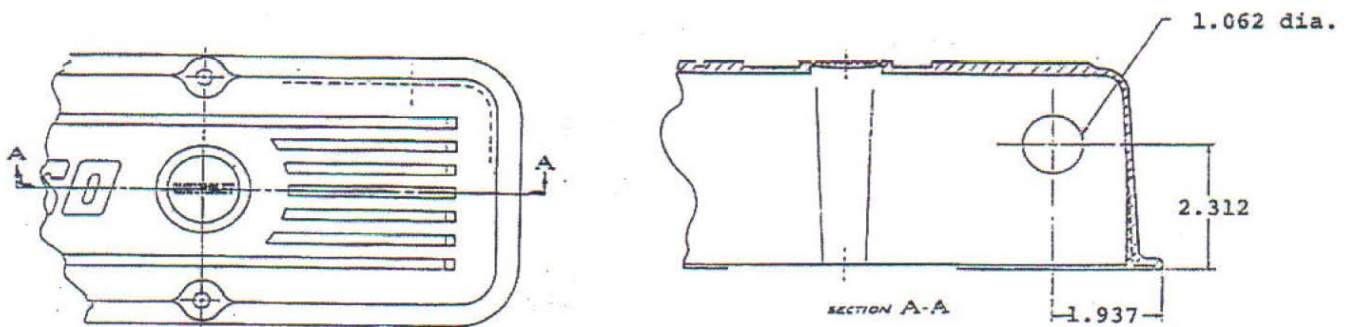
INSTALLATION

This product is intended for off road use only – not legal for installation on emission controlled cars.

Breathers must be purchased separately.

Use Moroso Breathers P/N 68811 or P/N 68815.

1. Drill a 1 1/16" diameter hole through the front inside surface of the valve cover as shown in Figure #1. The dimensions given are for Moroso tall cast aluminum small block Chevrolet valve covers. For all others you will have to determine the hole location.
2. Pre-assemble the engine using the block, heads and valve covers.
3. Pre-assemble the breather using the cross tube, hoses and angle cut tubes.
4. Position the breather assembly so the angle cut tubes stay flat on the valve covers and tack weld them into place.
5. Remove the breather cross tube and hoses and finish welding angle tubes to valve covers.



**For Technical Assistance, Call Moroso's Tech Line at
(203) 458-0542, 458-0546 8:30am – 5:00pm Eastern Time**

MOROSO PERFORMANCE PRODUCTS, INC
80 CARTER DR • GUILFORD, CT 06437-2116
Phone: (203) 453-6571 • Fax: (203) 453-6906