



INSTALLATION INSTRUCTIONS

MOROSO PART NO. 80150 - QUICK RELEASE STEERING WHEEL HUB

THIS HUB WILL ACCEPT ANY STEERING WHEEL WITH A 1.75" BOLT CIRCLE MOUNTING FLANGE.

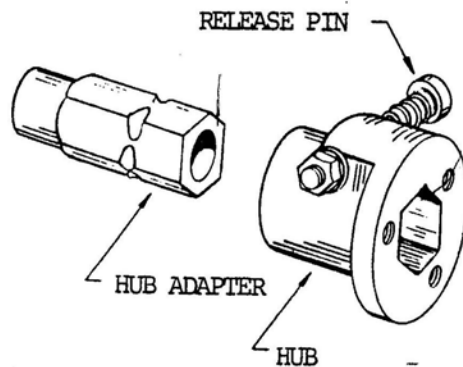
WHEN INSTALLING YOUR STEERING WHEEL TO THE HUB BE SURE TO USE BOLTS THAT DO NOT EXTEND THROUGH THE HUB MOUNTING FLANGE.

ONCE THE HUB IS ATTACHED TO THE STEERING WHEEL, INSTALL THE STEERING WHEEL BY DEPRESSING THE HUB RELEASE PIN IN AND SLIDING THE STEERING WHEEL/HUB ONTO HEX SPLINE HUB ADAPTER FULLY. PULL BACK ON STEERING WHEEL UNTIL THE HUB RELEASE PIN SNAPS INTO GROOVE ON HUB ADAPTER.

PULL ON STEERING WHEEL TO ENSURE WHEEL/SHAFT ARE LOCKED TOGETHER.

TO RELEASE STEERING WHEEL, PUSH RELEASE PIN IN AND PULL BACK ON STEERING WHEEL.

BE SURE TO KEEP THE HUB CLEAN AND FREE OF DIRT AS THIS COULD JAM THE MECHANISM. KEEP THE HUB AND HUB ADAPTER GREASED GENEROUSLY, AND THE HUB FREE FROM NICKS AND BURRS.



**For Technical Assistance, Call Moroso's Tech Line at
(203) 458-0542, 458-0546 8:30am – 5:00pm Eastern Time**

MOROSO PERFORMANCE PRODUCTS, INC
80 CARTER DR • GUILFORD, CT 06437-2116
Phone: (203) 453-6571 • Fax: (203) 453-6906