



## INSTALLATION INSTRUCTIONS

### **P/N'S: C2091 & C2093 SLIDE-A-LINK**

The Slide-A-Link by Competition Engineering is designed for use in Stock Eliminator and Bracket Racing vehicles. The rigid front mount assembly clamps around the leaf spring creating a positive displacement point for torque transmitted from the rear axle through the unique sliding link, cushioned by the urethane shock pad. Free travel and pre-load adjustments are made quick and easily on the vehicle by rotating the pre-load adjustment screw. Installation requires no welding or modification to the chassis or rear axle housing.

### PARTS LIST

- |   |                                      |
|---|--------------------------------------|
| 1) Spring Pad Assembly (Left)           | 2) 3/8"-24 Locknut                   |
| 1) Spring Pad Assembly (Right)          | 2) Urethane Shock Pads               |
| 2) Slide Tube Assembly                  | 2) Spring Clamp U-Bolts              |
| 2) Rear Tube Assembly                   | 2) Front Spring Eye Brackets (Left)  |
| 4) 7/16"-14 Locknut                     | 2) Front Spring Eye Brackets (Right) |
| 2) 3/8"-24 x 3-1/2" Bolt                | 2) Pre-Load Adjustment Screw         |
| 2) 3/4"-16 Spherical Rod End            | 2) Solid Rod End                     |
| 2) Spring Eye Bushing Sleeve, 1/2" I.D. | 4) Rod End Spacer                    |
| 2) Spring Eye Bushing Sleeve, 5/8" I.D. | 2) 5/8"-18x3" Bolt                   |
| 8) 1/2" 20 Locknut                      | 4) 3/4"-16 Jam Nut                   |
| 8) Washer 1/2"                          | 2) 5/8"-18 Locknut                   |
| 2) 3/4"-16x2-3/4" Bolt                  | 2) 3/4"-16 Locknut                   |
| 2) Aluminum Spring Eye Bushing          | 2) Shock Mount,                      |
| 2) Spring Eye Bracket Spacers           | 4) Spring Bracket Spacers            |
| 4) 3" U-bolt                            |                                      |
| 2) Spring Bracket Clamp                 |                                      |

**Note: Competition Engineering highly recommends the purchase of a C2199 Slide -A-Link Wrench kit, to facilitate adjustment of these traction devices. These wrenches were specifically designed for fit and ease of adjustment with vehicle at ride height.**

*For Technical Assistance, call Competition Engineering's Tech Line at  
(203) 458-0542, 8:30am-5:00pm Eastern Time*

**COMPETITION ENGINEERING**  
80 Carter Drive . Gullford, CT 06437  
Phone: (203) 453-5200 • Fax: (203) 453-6906

**Visit Us At [www.competitionengineering.com](http://www.competitionengineering.com)**

## INSTALLATION

1. Raise the vehicle and support it on the frame with jack stands. Lower the rear housing so that the leaf springs are not supporting the chassis. Support the housing in place with jack stands and remove the rear tires.
2. With the weight of the housing supported, remove the leaf springs from the vehicle.
3. Press out the stock bushings. You will need to do this in a hydraulic press. Press in the supplied Aluminum Spring Eye Bushings. Make sure that there is an equal amount of bushing showing on each side of the spring eye. (See Fig. 1)
4. Insert supplied U-bolt through front Spring Eye Brackets.
5. Slide the Front Spring Eye Brackets with U-bolt over the Spring Eye Bushing. After lubricating with anti-seize paste, insert the Spring Eye Bushing Sleeve through the Spring Eye Brackets and the Spring Eye Bushing. (See Fig. 2)
6. Install spacer between Spring Eye Brackets and tighten in place using the 3/8"-24 x 3-1/2" long bolt and 3/8"-24 Locknut. (See Fig. 3)
7. Install the Spring Clamp U-bolt onto the front spring assembly using the 7/16"-14 Nylock nuts and tighten to 25 ft-lbs.
8. Position Spacers between Spring Eye Bracket Assembly and the factory spring pocket to facilitate mounting the springs back into the vehicle. (See fig. 4)
9. Position the rear axle housing in place and install the supplied lower spring pad bracket. Use the U-bolts, washers and the 1/2" locknuts.

## INSTALLATION NOTES:

- a. Install the spring pad brackets with the shock mounting holes facing inward, on the backside of the axle tubes.
- b. Torque the U-bolts to 70 ft-lbs BEFORE installing the shock mount studs.
- c. Install shocks onto the mounts.

## SLIDING TUBE ASSEMBLY PROCEDURE: (SEE FIG. 5)

- a. Install the solid rod end with jam nut into the front sliding tube (smaller diameter tube). Lube the threads with anti-seize. Make sure the rod end is threaded into the tube a minimum of 1". Tighten the jam nut securely.
- b. Assemble the adjusting screw into the Rear Tube Assembly (larger diameter tube) so that it is threaded in approximately 2". Use anti-seize on the threads.
- c. Thread the 1-1/8" jam nut onto the adjusting screw and tighten the jam nut.
- d. Install the 3/4" jam nut onto the spherical rod end and thread it into the end of the adjusting screw. Use anti-seize on the threads. Make sure that the rod end threads into the adjusting screw a minimum of 1".
- e. Hold the tube assembly at the welded nut with a wrench and tighten the 3/4" jam nut. At this time, loosen the 1-1/8" jam nut for adjustment later.
- f. Lube the sliding tube with wheel bearing grease; slip the Urethane Shock Pad onto the sliding tube.
- g. Slip the sliding tube into the Rear Tube Assembly.

## NOTE:

In order to install the link assembly, the weight of the vehicle must be loaded onto the springs.

- a. Place a floor jack under the rear axle housing and raise the rear of the vehicle so that the springs support the vehicle's weight.
- b. Install the link assembly as normal.

10. Install the link assembly by mounting the solid rod end into the front spring eye bracket. Bolt it in place with the supplied 5/8"-18x3" bolt and rod end spacers lubed with anti-seize and a 5/8" locknut. Hand tighten at this time.
11. While holding the rear spherical rod end in one hand, rotate the rear tube assembly until the rod end lines up with the holes in the rear spring pad bracket. Slip a 3/4"x2-3/4" bolt through the holes. Install a 3/4" locknut and tighten to 75 ft-lbs.
12. Rotate the rear tube so that there is a 1/2" gap between the Urethane Shock Pad and the tube stop.
13. Tighten the front 5/8" bolt so that the nut just touches the bracket plus 1/2 a turn more. **DO NOT OVERTIGHTEN THE BOLT! THIS WILL CAUSE SUSPENSION BINDING!**
14. Check that all bolts are tightened correctly. Make sure that the 1-1/8" jam nut is loose and a 1/2" gap remains between the Urethane Shock Pads and one of the tube stops **BEFORE** lowering the vehicle to the ground.
15. Lower the vehicle to the ground.
16. Check for adequate Urethane Shock Pad gap. If you cannot rotate the rear tube by hand until a gap is present, raise one side of the vehicle at a time by the frame and rotate the tube. Repeat this process until a gap appears with the vehicle resting on all four wheels.

### **ADJUSTMENTS AND TUNING TIPS**

ALL ADJUSTMENTS MUST BE MADE WITH THE VEHICLE IN RACE READY CONDITION. THIS INCLUDES FUEL IN TANK, TIRE PRESSURE CORRECT AND DRIVER ON BOARD UNLESS OTHERWISE NOTED.

#### Adjustments with corner scales

- To get you started, you should add one turn of pre-load to both sides of the suspension without the driver on board.
- If you have access to scales that are capable of weighing all four corners of a vehicle, (most circle track chassis shops have these) you can more accurately set your pre-load. With the driver seated in the vehicle, add or remove preload on one side so that the weights of the rear tires are equal. Pre-load should not exceed four turns.

**NOTE: A LARGE VARIATION OF PRE-LOAD FROM SIDE TO SIDE WILL CAUSE THE VEHICLE TO LAUNCH ERRATICALLY.**

#### Adjustments without corner scales

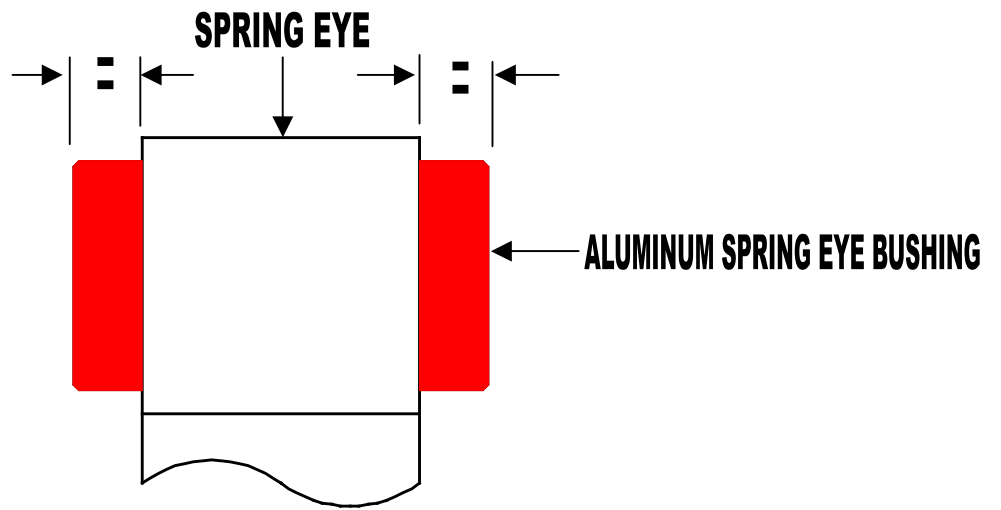
1. With the vehicle on LEVEL ground, roll it back and forth in a straight line at least five feet. This is very important on vehicles equipped with a spool but is necessary for all types of limited slip differential vehicles.
2. Block the front and back of one of your front tires to prevent movement.
3. Rotate the driver's side rear tube until the tube stops makes contact with the urethane shock pad. Rotate the tube one additional turn to apply pre-load to the system.
4. Tighten the 1-1/8" jam nut while holding the welded nut on the rear tube with a wrench.
5. On the passenger side, rotate the rear tube until contact is made between the urethane shock pad and the tube stops. Rotate the rear tube an additional 1-1/2" turns. The extra 1/2 a turn helps to compensate for the driver's weight.
6. Tighten the 1-1/8" jam nut while holding the welded nut on the rear tube with a wrench.
7. Make one pass on the system, re-check all hardware, and repeat the pre-load adjustment procedure if necessary.

**As with any racing component, continual inspection of the Slide-A-Link traction system is recommended. Re-lube the sliding parts every race to ensure proper operation.**

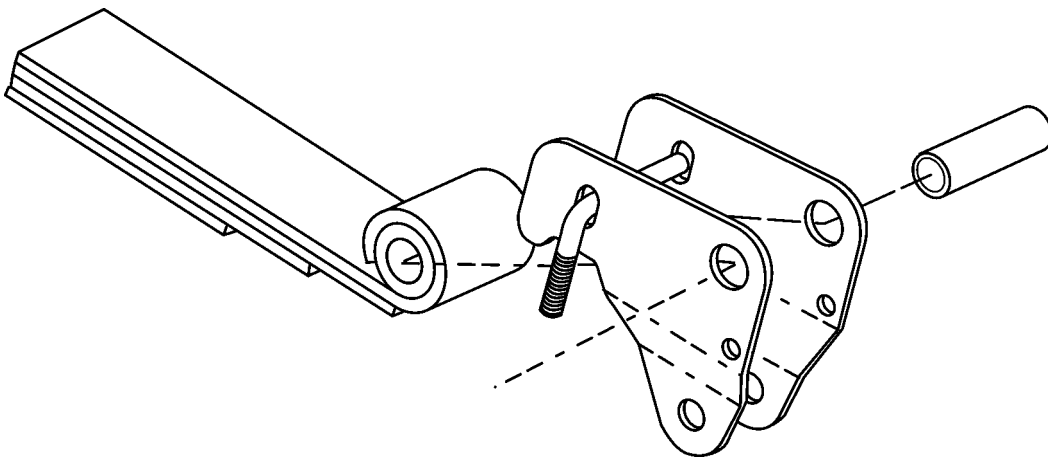
#### Adjustments for Street Use

1. With the vehicle on LEVEL ground, roll it back and forth in a straight line at least five feet. This is very important on vehicles equipped with all types of limited slip differentials.
2. Block the front and back of one of your front tires to prevent movement.
3. Rotate the rear tubes until contact is made with the urethane shock pads and both tube stops.
4. Rotate the rear tubes in the opposite direction until a 1/4" gap is present between the urethane shock pads and the tube stop.
5. Tighten the 1-1/8" jam nut while holding the welded nut on the rear tube with a wrench.

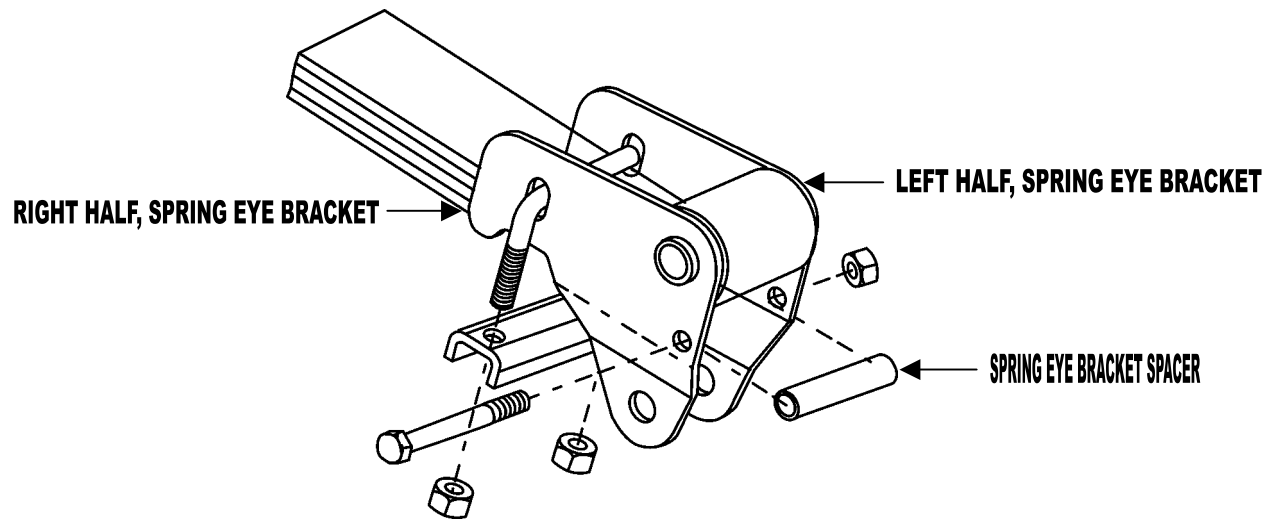
For best performance at the racetrack, follow the race adjustment procedure. Return to the street settings before returning the vehicle to street use.



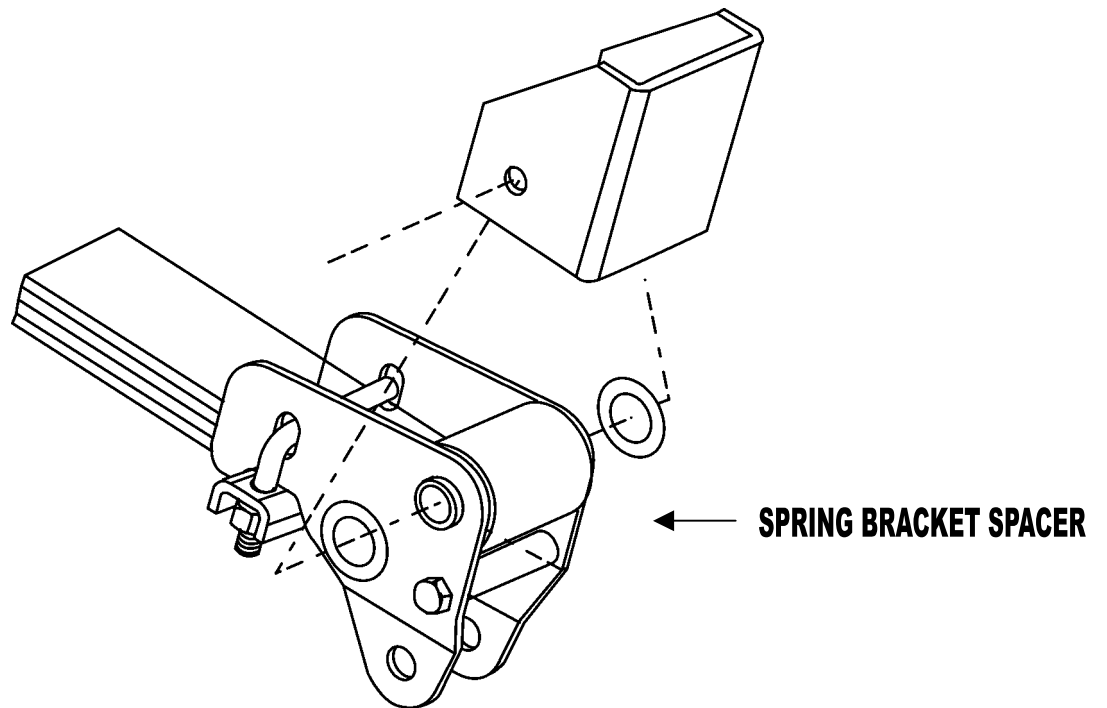
**FIGURE #1**



**FIGURE #2**



**FIGURE #3**



**FIGURE #4**



## Slide-A-Link Wrenches

Competition Engineering's New Slide-A-Link Wrenches (part # C2199) are manufactured from billet aluminum with large grip handles and are black anodized for corrosion resistance. This set includes two wrenches of the correct size to fit Competition Engineering Slide-A-Link adjustment nuts and can fit under your vehicle for easy adjustments in the staging lanes.

**COMPETITION ENGINEERING**  
80 Carter Drive • Gullford, CT 06437  
Phone: (203) 453-5200 • Fax: (203) 453-6906

Visit Us At [www.competitionengineering.com](http://www.competitionengineering.com)

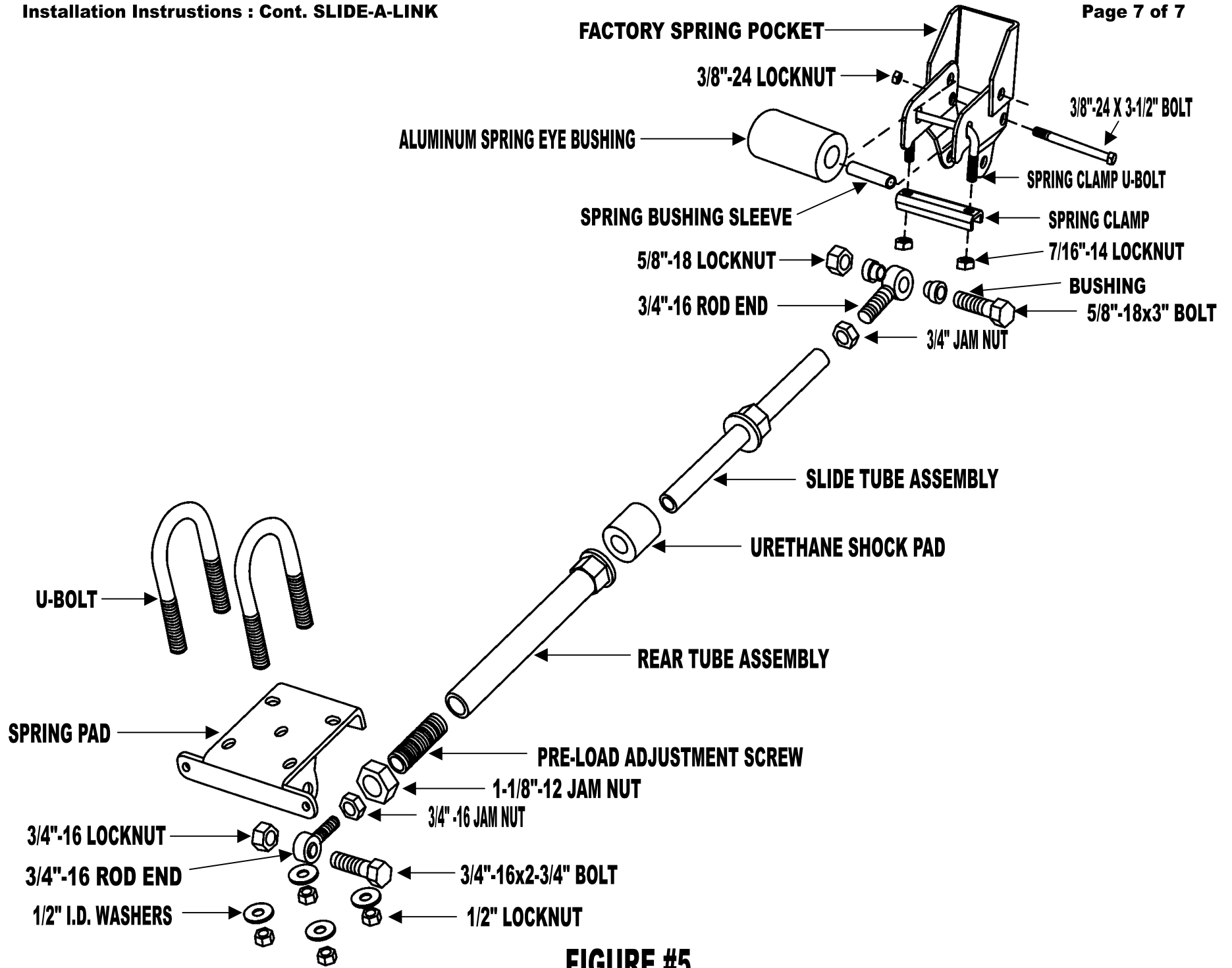


FIGURE #5