



C8017 UPPER CONTROL ARM BUSHING KIT

PARTS LIST

2 Polyurethane Control Arm Bushings
2 Packets of Grease

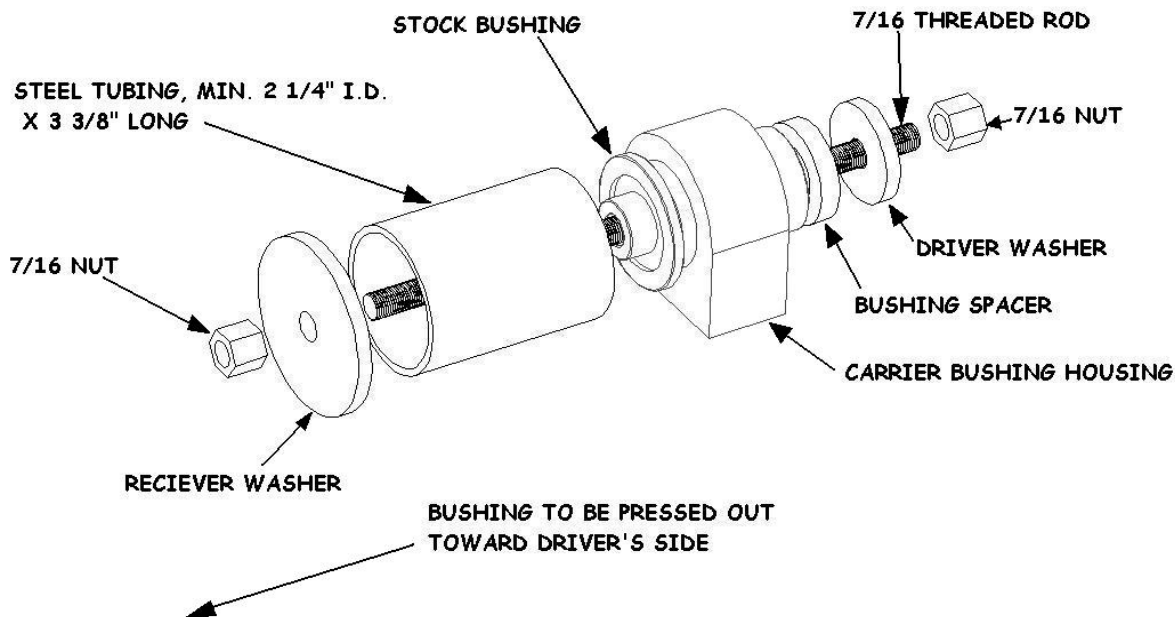
2 Zinc Plated Steel Bushing Sleeves

This kit replaces the upper control arm bushing on the rear axle housing of 2005 and up Mustangs. The installation of this kit begins with the removal of the stock bushing. Use Ford bushing removal tools (part numbers 205-590, 205-813 &, 204-034) or fabricate your own by using the following instructions.

1. One 10-inch length of 7/16" threaded rod and two 7/16" nuts.
2. One length of steel tubing measuring 3 3/8" long with a minimum I.D. of 2 1/4".
3. One receiver washer. This is depicted in the illustration below as 3" OD X 1/4" thick. This does not have to be a washer, a sturdy piece of flat stock with a hole drilled in it will work.
4. One driver washer, 1 3/4" OD x 1/2" ID, 1/4" thick.
5. One bushing spacer, 1.700" OD x 1" ID, minimum .340" thick (this is to ensure that the bushing is pressed out by the steel shell).

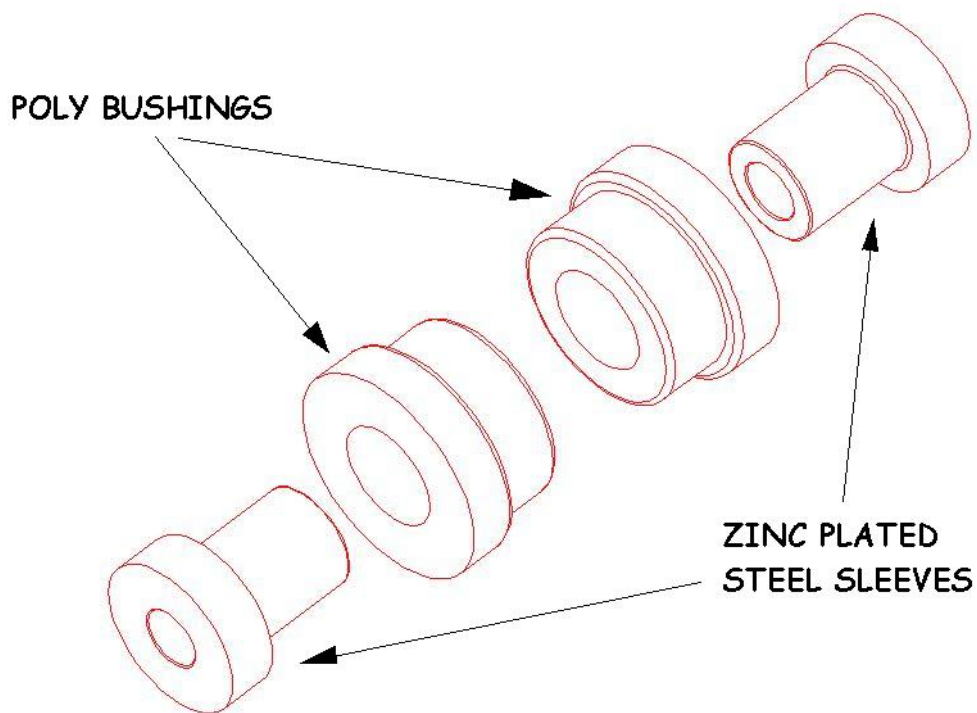
Assemble the removal tool as shown below. Lubricate the nuts and tighten the assembly. Continue tightening the nuts and the bushing should press out of the housing.

NOTE: REMOVAL TOOL NOT SUPPLIED



C8017 BUSHING KIT INSTALLATION

Once the old bushing has been pressed out, examine the bore of the housing and file any nicks or burrs smooth. Coat the bushings with the supplied grease and assemble as shown by inserting them into the carrier housing from opposite ends. Insert the steel sleeves into the bushings and assemble the upper control arm to the assembly. Install upper control arm using a new Ford bushing nut and flag bolt. Set the axle at the approximate ride height and tighten to 175 Nm (129 lb-ft).



**For Technical Assistance, Call Moroso's Tech Line at
(203) 458-0542, 458-0546 8:30am – 5:00pm Eastern Time**

MOROSO PERFORMANCE PRODUCTS, INC
80 CARTER DR • GUILFORD, CT 06437-2116
Phone: (203) 453-6571 • Fax: (203) 453-6906